



- Modular motor starters for all gas groups
- Control panels: Direct-On-Line Motor Starter DOL, YD, reversing contactor combinations
- Optional customer-specific equipping with main switches, main fuses and control devices

E7

WebCode **8220A**



R. STAHL Series 8220 standard motor starters are installed in Ex d enclosures and have an Ex e connection chamber enclosure. They are available in various control variants for rapid delivery. As an option, the control panels can be fitted with main switches, main fuses and control devices as per the customer's requirements.

	IECEX / ATEX					
Zone	0	1	2	20	21	22
Installation in		•	•		•	•

Selection Table

Direct-on-line motor starter (DOL)					
Product Description	Terminal	Threaded holes on bottom	Product Type	Art. No.	Weight kg
8225/112	4 x 6 mm ² 3 x 4 mm ²	2 x M32 2 x M25	8220/5-SM-ES5,5kW400V-T	142431	45.000
	4 x 10 mm ² 3 x 6 mm ²	2 x M32 2 x M25 -	8220/5-SM-ES11kW400V-T	142434	45.000
	4 x 10 mm ² 3 x 6 mm ²	2 x M32 2 x M25 -	8220/5-SM-ES7,5kW400V-T	142432	45.000
	4 x 16 mm ² 3 x 6 mm ²	2 x M32 2 x M25 -	8220/5-SM-ES15kW400V-T	142436	45.000
	4 x 16 mm ² 3 x 10 mm ²	2 x M32 2 x M25 -	8220/5-SM-ES18,5kW400V-T	142437	45.000
	4 x 35 mm ² 3 x 10 mm ²	1 x M40 1 x M32 2 x M25	8220/5-SM-ES22kW400V-T	142438	45.000
	8225/122	4 x 35 mm ² 3 x 16 mm ²	1 x M40 1 x M32 2 x M25	8220/5-SM-ES30kW400V-T	142439
4 x 35 mm ² 3 x 16 mm ²		1 x M40 1 x M32 2 x M25	8220/5-SM-ES37kW400V-T	142440	76.000
4 x 50 mm ² 3 x 35 mm ²		1 x M50 1 x M40 2 x M25	8220/5-SM-ES45kW400V-T	142441	76.000
4 x 50 mm ² 3 x 35 mm ²		1 x M50 1 x M40 2 x M25	8220/5-SM-ES55kW400V-T	142442	76.000
4 x 50 mm ² 3 x 35 mm ²		1 x M50 1 x M40 2 x M25	8220/5-SM-ES75kW400V-T	142443	76.000
Reversing starter combination					
Product Description	Terminal	Threaded holes on bottom	Product Type	Art. No.	Weight kg
8225/122	4 x 6 mm ² 3 x 4 mm ²	2 x M32 2 x M25 -	8220/5-SL-WS5,5kW400V-T	142458	76.000
	4 x 6 mm ² 3 x 4 mm ²	2 x M32 2 x M25 -	8220/5-SL-WS7,5kW400V-T	142459	76.000
	4 x 10 mm ² 3 x 6 mm ²	2 x M32 2 x M25 -	8220/5-SL-WS11kW400V-T	142460	76.000
	4 x 16 mm ² 3 x 6 mm ²	2 x M32 2 x M25 -	8220/5-SL-WS15kW400V-T	142461	76.000
	4 x 16 mm ² 3 x 10 mm ²	2 x M32 2 x M25 -	8220/5-SL-WS18,5kW400V-T	142462	76.000
	4 x 35 mm ² 3 x 16 mm ²	1 x M40 1 x M32 2 x M25	8220/5-SL-WS22kW400V-T	142463	76.000
	4 x 35 mm ² 3 x 16 mm ²	1 x M40 1 x M32 2 x M25	8220/5-SL-WS30kW400V-T	142464	76.000
	4 x 35 mm ² 3 x 16 mm ²	1 x M40 1 x M32 2 x M25	8220/5-SL-WS37kW400V-T	142465	76.000
	4 x 95 mm ² 3 x 35 mm ²	1 x M50 1 x M40 2 x M25	8220/5-SL-WS45kW400V-T	142466	76.000
8225/133	4 x 95 mm ² 3 x 50 mm ²	1 x M50 1 x M40 2 x M25	8220/5-SL-WS55kW400V-T	142467	141.000
	4 x 95 mm ² 3 x 95 mm ²	1 x M63 1 x M50 2 x M25	8220/5-SL-WS75kW400V-T	142468	141.000

Standard motor starters with threaded holes; please order cable glands separately.

E7

Technical Data

Explosion Protection

IECEx gas explosion protection	Ex db eb IIC T6 Gb
IECEx dust explosion protection	Ex tb IIIC T80 °C Db
ATEX gas explosion protection	Ⓔ II 2 G Ex db eb IIC T6 Gb
ATEX dust explosion protection	Ⓔ II 2 D Ex tb IIIC T80 °C Db

Electrical Data

Rated operational voltage AC	400 V
------------------------------	-------

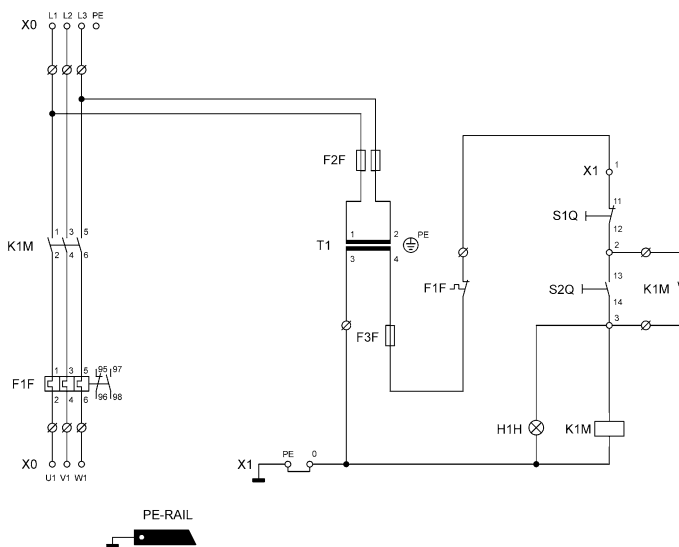
Ambient Conditions

Ambient temperature	-20 °C ... +40 °C
---------------------	-------------------

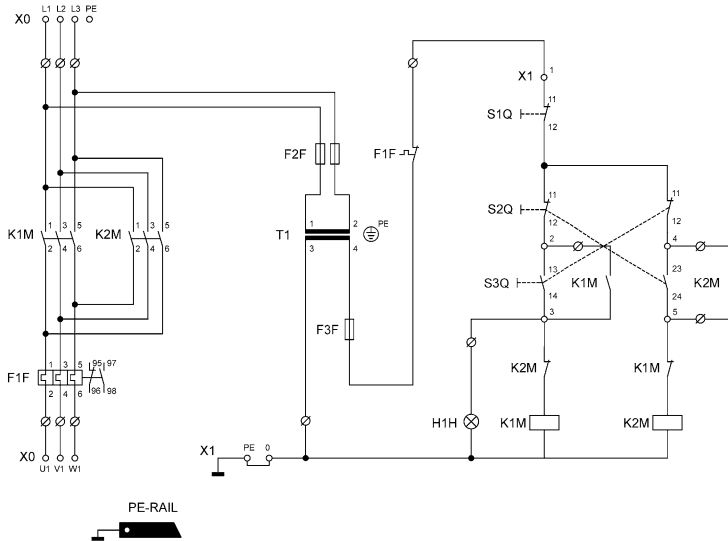
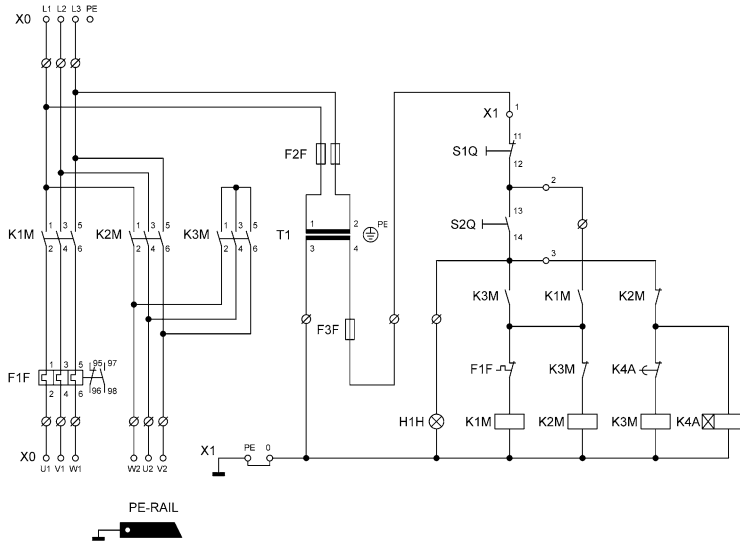
Mechanical Data

Degree of protection IP (IEC 60529)	IP66
Enclosure material	Sheet steel, painted
Enclosure colour	Light grey (RAL 7035)

Technical Drawings – Subject to Alterations

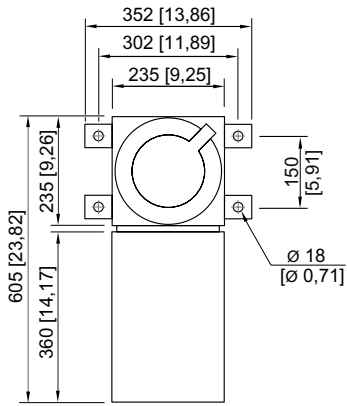


E7

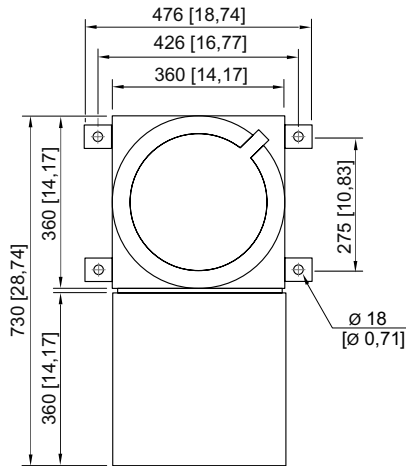
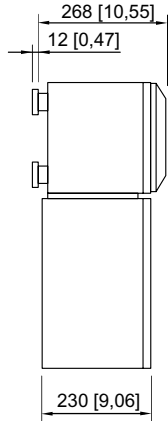


Dimensional Drawings (All Dimensions in mm [inches]) – Subject to Alterations

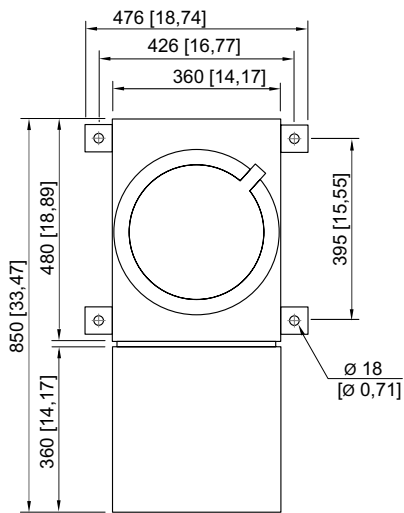
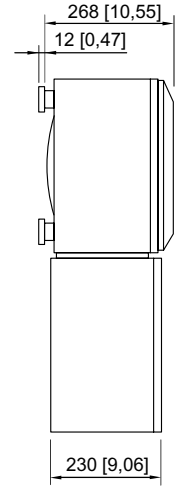
E7



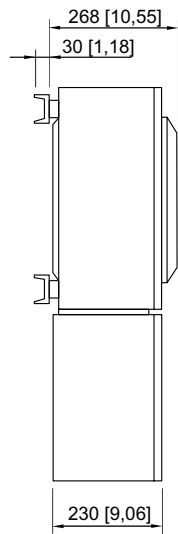
8220/112



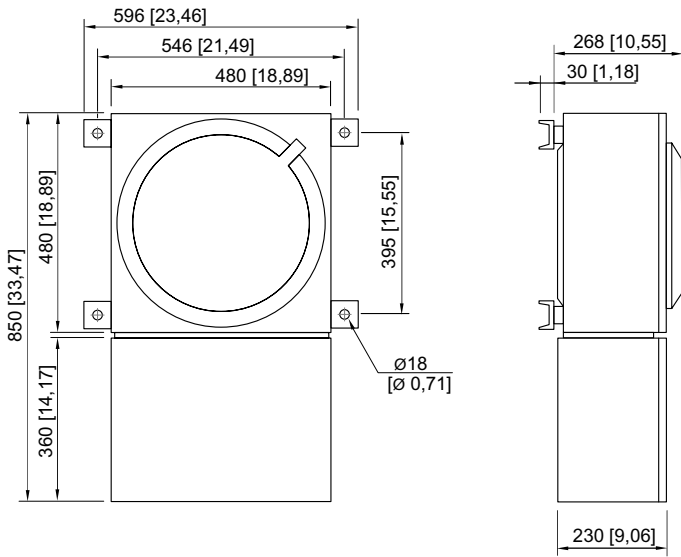
8220/122



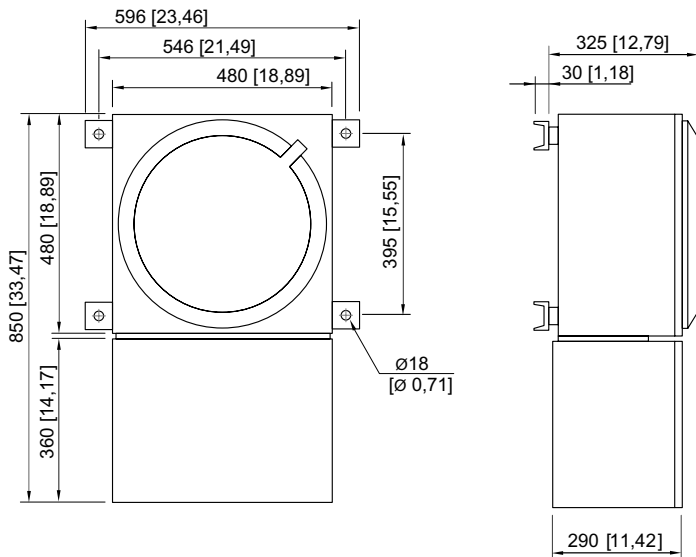
8220/172



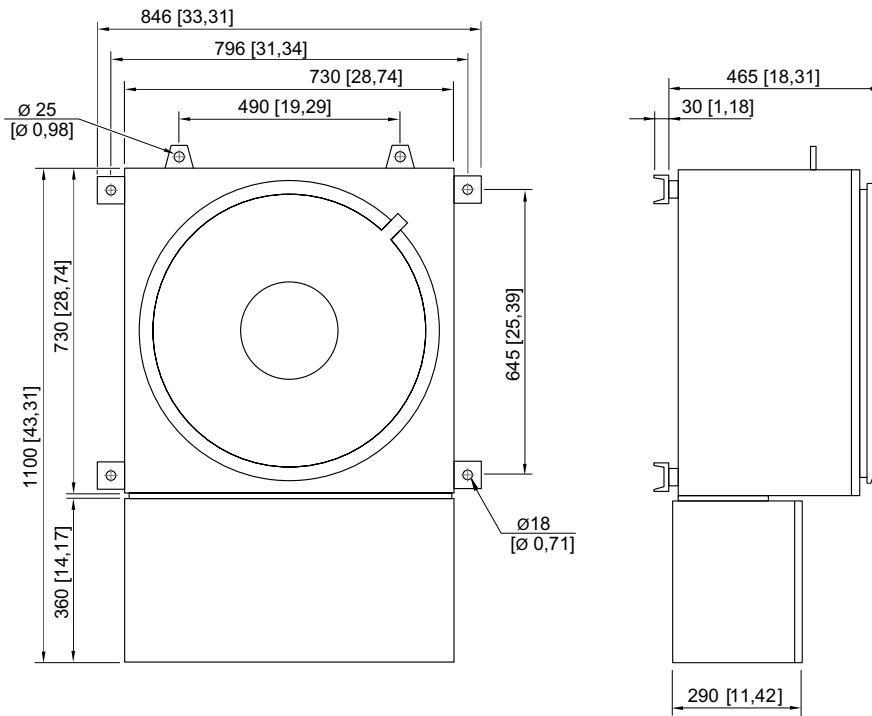
E7



8220/132



8220/133



8220/196